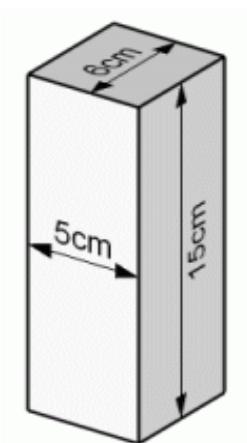
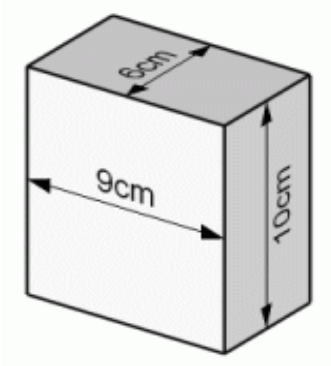
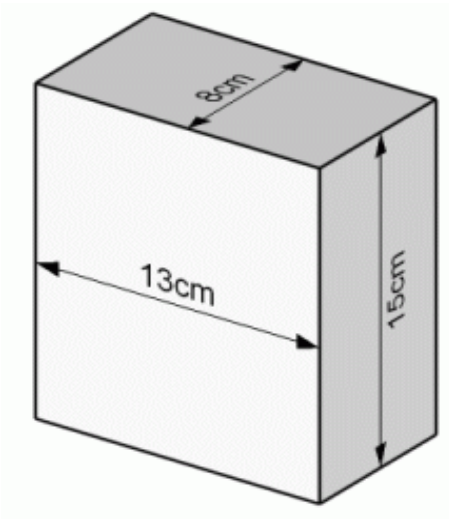


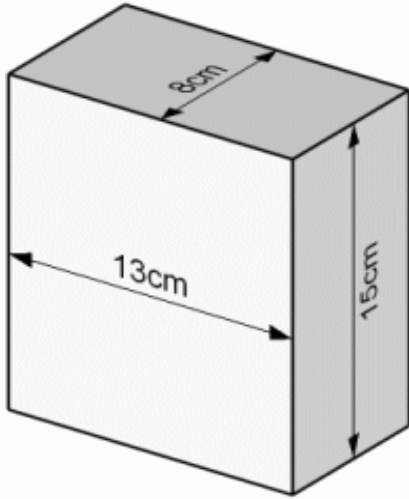
Rectangular Prisms (B)

Instructions: Find the volume and surface area of the rectangular prisms.



Rectangular Prisms (B) Answers

Instructions: Find the volume and surface area of the rectangular prisms.



$$L = 13 \text{ cm}$$

$$W = 8 \text{ cm}$$

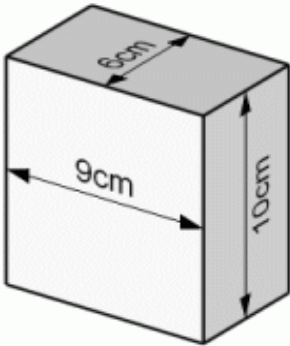
$$H = 15 \text{ cm}$$

$$SA = (13 \times 8 \times 2) + (8 \times 15 \times 2) + (13 \times 15 \times 2)$$

$$SA = 838 \text{ cm}^2$$

$$V = 13 \times 8 \times 15$$

$$V = 1560 \text{ cm}^3$$



$$L = 9 \text{ cm}$$

$$W = 6 \text{ cm}$$

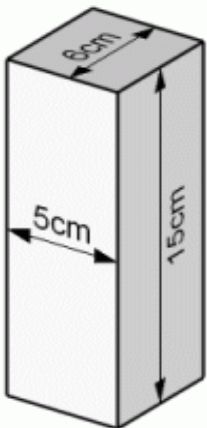
$$H = 10 \text{ cm}$$

$$SA = (9 \times 6 \times 2) + (6 \times 10 \times 2) + (9 \times 10 \times 2)$$

$$SA = 408 \text{ cm}^2$$

$$V = 9 \times 6 \times 10$$

$$V = 540 \text{ cm}^3$$



$$L = 5 \text{ cm}$$

$$W = 6 \text{ cm}$$

$$H = 15 \text{ cm}$$

$$SA = (5 \times 6 \times 2) + (6 \times 15 \times 2) + (5 \times 15 \times 2)$$

$$SA = 390 \text{ cm}^2$$

$$V = 5 \times 6 \times 15$$

$$V = 450 \text{ cm}^3$$