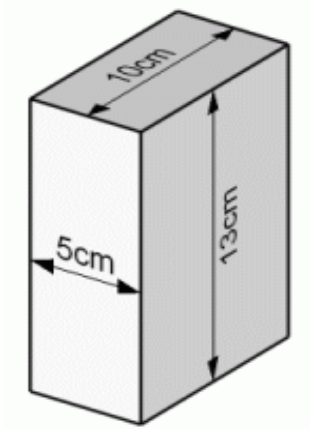
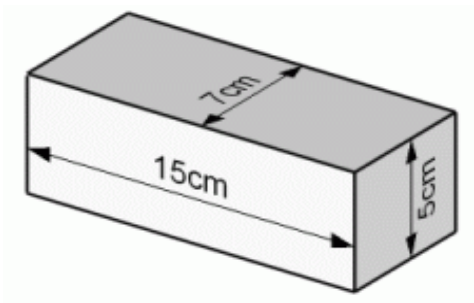
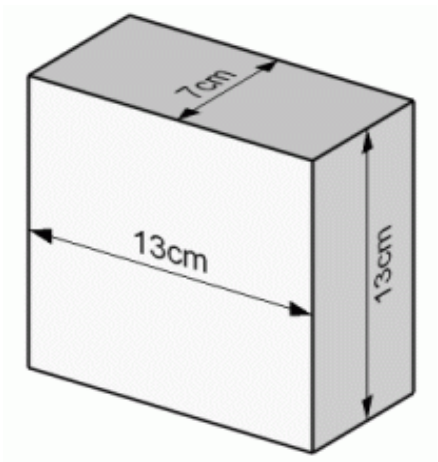


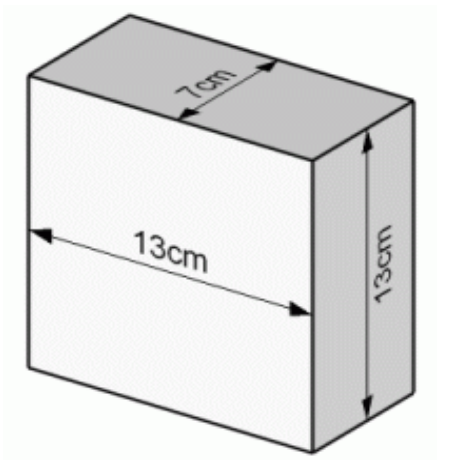
Rectangular Prisms (A)

Instructions: Find the volume and surface area of the rectangular prisms.



Rectangular Prisms (A) Answers

Instructions: Find the volume and surface area of the rectangular prisms.



$$L = 13 \text{ cm}$$

$$W = 7 \text{ cm}$$

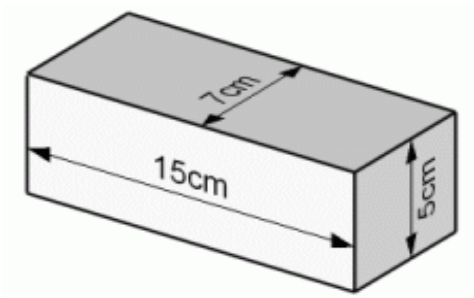
$$H = 13 \text{ cm}$$

$$SA = (13 \times 7 \times 2) + (7 \times 13 \times 2) + (13 \times 13 \times 2)$$

$$SA = 702 \text{ cm}^2$$

$$V = 13 \times 7 \times 13$$

$$V = 1183 \text{ cm}^3$$



$$L = 15 \text{ cm}$$

$$W = 7 \text{ cm}$$

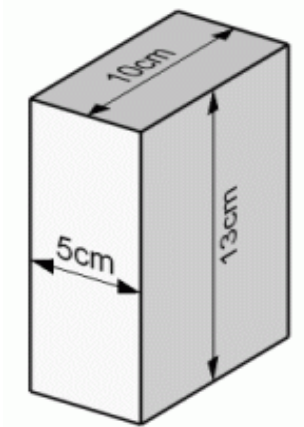
$$H = 5 \text{ cm}$$

$$SA = (15 \times 7 \times 2) + (7 \times 5 \times 2) + (15 \times 5 \times 2)$$

$$SA = 430 \text{ cm}^2$$

$$V = 15 \times 7 \times 5$$

$$V = 525 \text{ cm}^3$$



$$L = 5 \text{ cm}$$

$$W = 10 \text{ cm}$$

$$H = 13 \text{ cm}$$

$$SA = (5 \times 10 \times 2) + (10 \times 13 \times 2) + (5 \times 13 \times 2)$$

$$SA = 490 \text{ cm}^2$$

$$V = 5 \times 10 \times 13$$

$$V = 650 \text{ cm}^3$$