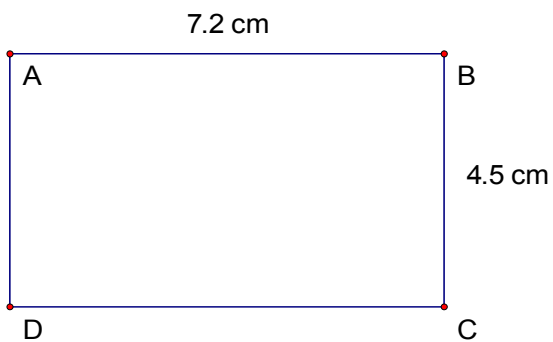
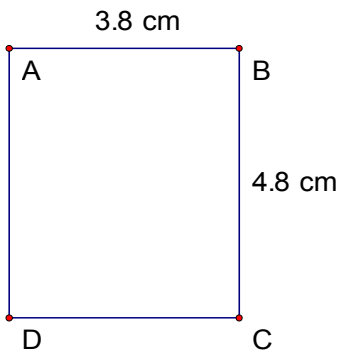
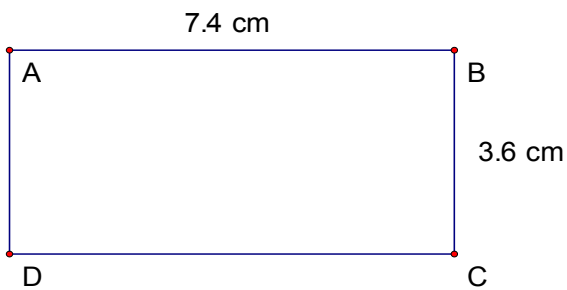
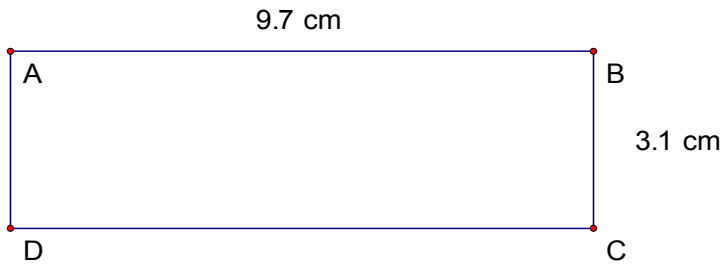


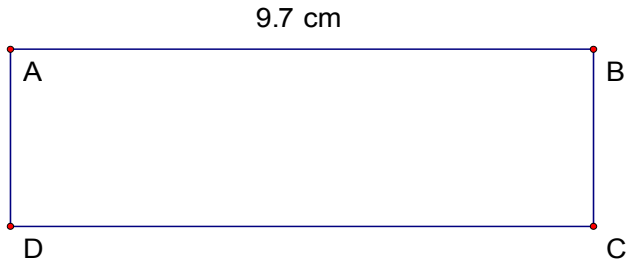
Perimeter and Area of Rectangles (A)

Instructions: Calculate the perimeter and area for each rectangle below.

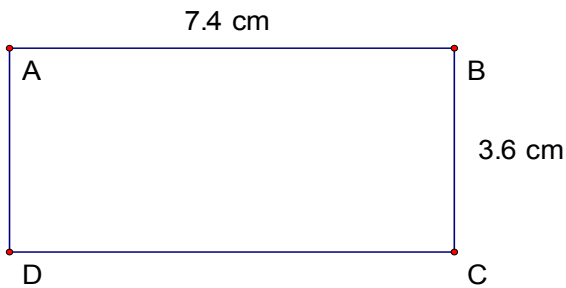


Perimeter and Area of Rectangles (A) Answers

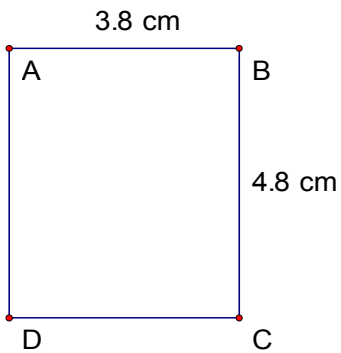
Instructions: Calculate the perimeter and area for each rectangle below.



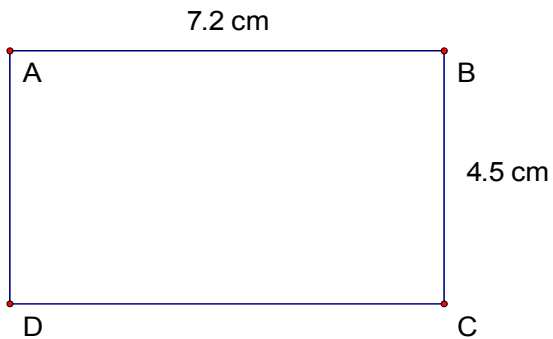
$$\begin{aligned} \text{Perimeter} &= 25.6 \text{ cm} \\ \text{Area} &= 30.07 \text{ cm}^2 \end{aligned}$$



$$\begin{aligned} \text{Perimeter} &= 22 \text{ cm} \\ \text{Area} &= 26.64 \text{ cm}^2 \end{aligned}$$



$$\begin{aligned} \text{Perimeter} &= 17.2 \text{ cm} \\ \text{Area} &= 18.24 \text{ cm}^2 \end{aligned}$$



$$\begin{aligned} \text{Perimeter} &= 23.4 \text{ cm} \\ \text{Area} &= 32.4 \text{ cm}^2 \end{aligned}$$