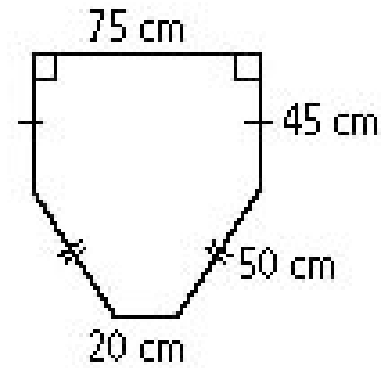


1. Perimeter is the total distance around the outside of a 2D shape.  
 A True  
 B False
2. The height of a parallelogram is always at right angles to its base.  
 A True  
 B False
3. The base and height of a parallelogram always form a right angle.  
 A True  
 B False
4. The formula for the area of a triangle is  $A = b \times h$ .  
 A True  
 B False
5.  $(8 + 12) / (4 - 2) + 5 \times 6 = 33$   
 A True  
 B False
6. In a calculation with several operations, you divide before multiply and then add before subtract.  
 A True  
 B False
7. The formula for area of a trapezoid is  $A = (a + b) \times h / 2$ .  
 A True  
 B False
8. A 2D shape that can be split into 2 or more simpler shapes is known as a composite shape.  
 A True  
 B False

9. Calculate the perimeter.

- A 190 cm
- B 235 cm
- C 285 cm
- D 315 cm



10. Diane has a hot tub that's in a hexagon shape. Each side is 1.5 m long. New padding will be put on the edge. Padding costs \$5/m. What's the total cost of the padding?

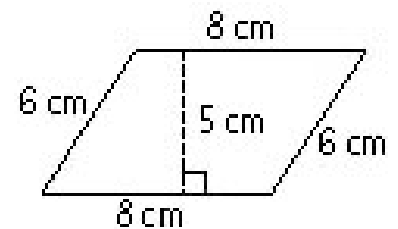
- A \$45
- B \$39
- C \$40
- D \$60

11. What is the formula area of a parallelogram?

- A  $A = b \times h$
- B  $A = b \times h / 2$
- C  $A = l \times w$
- D  $A = 2 \times (l + w)$

12. Calculate the area of this parallelogram.

- A  $20 \text{ cm}^2$
- B  $24 \text{ cm}^2$
- C  $40 \text{ cm}^2$
- D  $48 \text{ cm}^2$

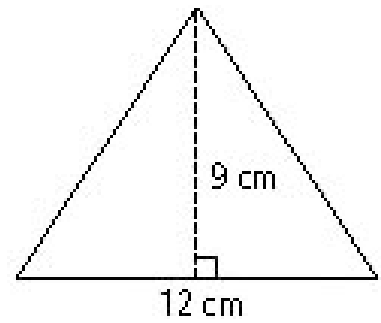


13. Find the area of a parallelogram with a base of 5 cm, a height of 7 cm and a side length of 8 cm.

- A  $20 \text{ cm}^2$
- B  $35 \text{ cm}^2$
- C  $40 \text{ cm}^2$
- D  $56 \text{ cm}^2$

14. Calculate the area of this isosceles triangle.

- A 54 cm<sup>2</sup>
- B 72 cm<sup>2</sup>
- C 108 cm<sup>2</sup>
- D 144 cm<sup>2</sup>



15. Which operation do you perform first in the expression  $7 + (5 - 3) \times 4 \div 2$ ?

- A addition
- B multiplication
- C division
- D brackets

16. Evaluate the expression  $(15 \div 3) + 7 \times 2 - 9$ .

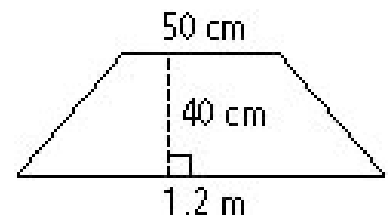
- A 12
- B 10
- C 15
- D 16

17. A four-sided shape has only 1 pair of parallel sides. What is this shape?

- A parallelogram
- B rhombus
- C rectangle
- D trapezoid

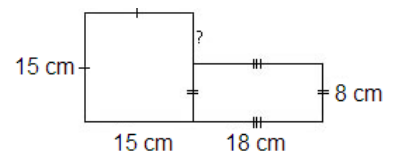
18. Calculate the area of this trapezoid.

- A 3400 cm<sup>3</sup>
- B 0.34 m<sup>2</sup>
- C 6.8 cm<sup>2</sup>
- D 0.68 m<sup>2</sup>



19. Find the missing dimension of this composite shape.

- A 6 cm
- B 7 cm
- C 8 cm
- D 9 cm



20. Find the area of this field.

- (A)  $999 \text{ m}^2$
- (B)  $1278 \text{ m}^2$
- (C)  $1836 \text{ m}^2$
- (D)  $1998 \text{ m}^2$

